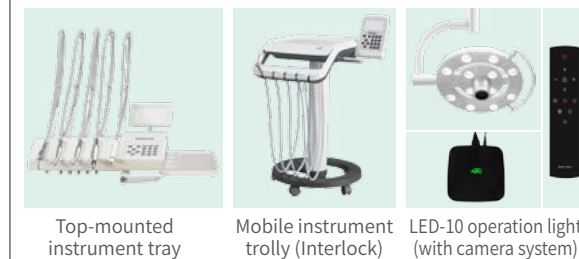


OPTIONS



Parameters of Camera

- Full HD 1080P
- 30X Optical zoom
- Focus: 450mm~1000mm
- Auto focus and manual focus switchable

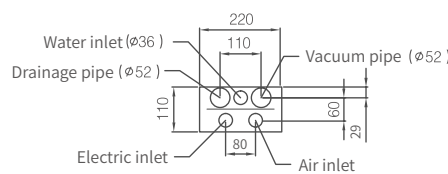
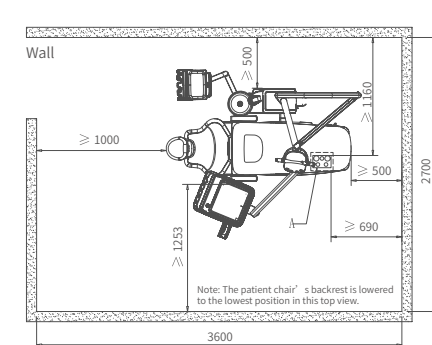
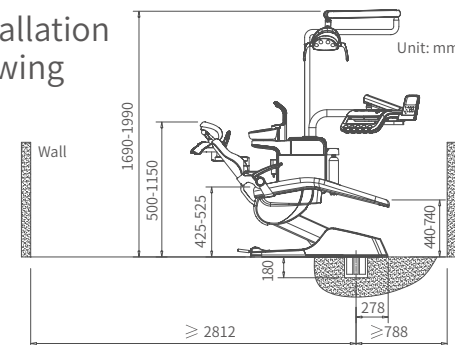
Storage parameter

- Video format MP4
- Picture format JPG
- Video HDMI output, network streaming media output supports RTSP protocol
- Standard configuration storage 128G, 1080P Recording Length 10 hours
- Storage devices over 2T should be partitioned, recording Length up to 200 hours

Illuminating parameters

- Adjustable from 8,000 to 100,000 lux with 6 pcs of white diodes
- Illuminance area 80mm×160mm@700mm
- Color temperature 5000K ± 10%
- Color Rendering Index (CRI) : Ra>= 90, Rf >= 90
- Light control mode: remote control and infrared induction switch

Installation drawing



Technical specification

- Power /Voltage AC220V-230V / 50Hz
- Water pressure 0.2MPa-0.4MPa /2.0-4.0bar
- Air pressure 0.55MPa-0.8MPa/5.5-8.0bar
- Output volume >55L/min

CONFIGURATIONS/MODEL

CONFIGURATIONS/MODEL	ST-D307
24V DC motor for chair (safety system)	●
Auto spittoon flushing and cup filler control system	●
9 programs inter-lock control system (Integrated circuit board / USB cable connection)	●
Down-mounted Instrument tray (with air break/interlock)	●
Water / gas / electric master switch (One key)	●
Handpiece holder / assistant rack quick connection hose	●
Glass spittoon (Quick detachable)	●
Double articulate headrest	●
Sewed ECO-leather cushion	●
Round foot switch	●
4-way joystick (control patient chair go up/down/front/back)	●
High suction and saliva ejector system	●
Outer water tank	●
LED-9 operation light (adjustable color temperature/illuminance)	●
LED film viewer	●
3-way syringe (hot/cold)	●
Build-in floor box	●
ST-603 doctor stool	●
OPTIONAL ACCESSORIES:	
LED-10 operation light (with camera system)	○
Mobile instrument trolley (Interlock)	○
ST-301 doctor stool	○
Ceramic spittoon (Removable)	○

Standard upholstery color (U series ECO-leather cushion)



Anti-fouling
Waterproof



Wear-resisting
Anti-wrinkle



Scratch
Resistant to shave



High
temperature
resistant

Note: ● STANDARD EQUIP / ○ OPTIONS

Focus

on

quality



Suntem
Focus on quality

2023 Version

ST-D307
DENTAL UNIT

Suntem

FOSHAN SUNTEM MEDICAL INSTRUMENT CO.,LTD.

ADD: 1 Flat, No. 7, C District, Sanshui Industry Park, Foshan City, Guangdong Province, China

Export: +86-757-87393709 After-sales: 0757-87393725

Tel: 0757-87393727 87393728 Fax: 075787393729

Email: STYK@suntem.cn Website: Http://www.suntem.cn

Suntem reserves the right to make any improvement on product design without advance notice.
(Copyright reserved) All products subject to the practicality, the pictures just for reference.



WeChat



Website

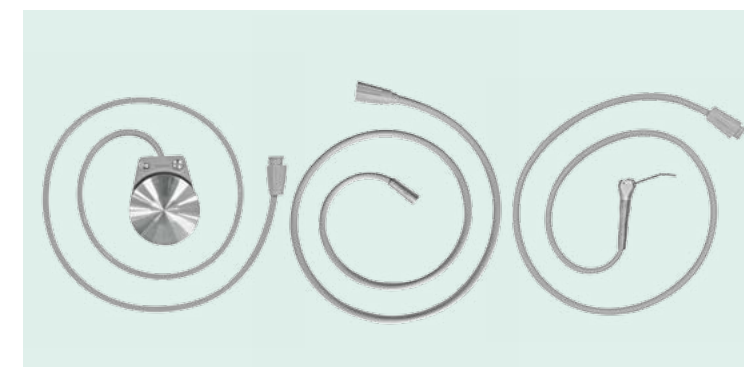


ST-D307 2023 Version DENTAL UNIT



ST-D307 2023 Version DENTAL UNIT

Suntem

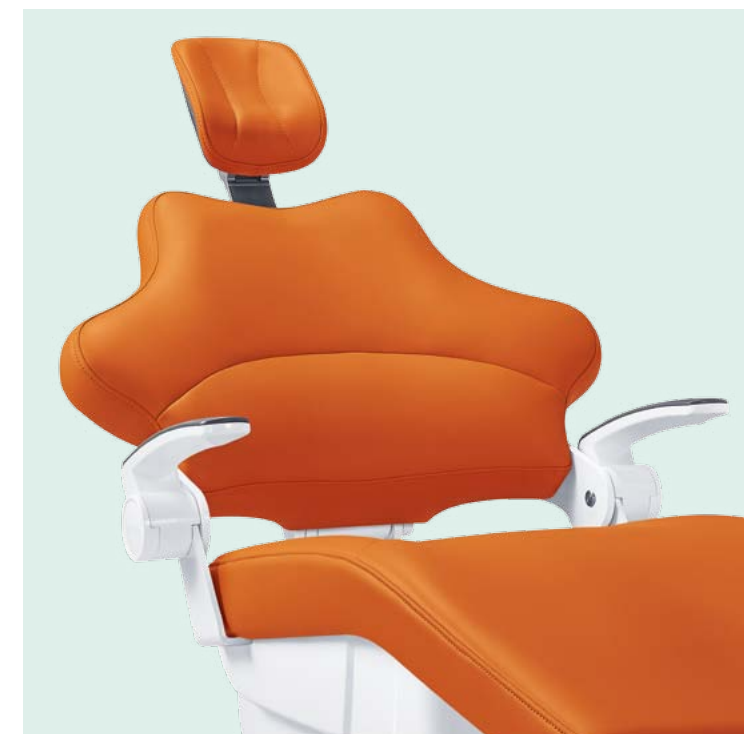


Quick connecting device for piping, one step faster

Foot pedal hose, handpiece hose and 3-way syringe hose all adopt quick coupler to connect the equipment, making it convenient and quick to install / uninstall, and also making it convenient for daily cleaning and maintenance.

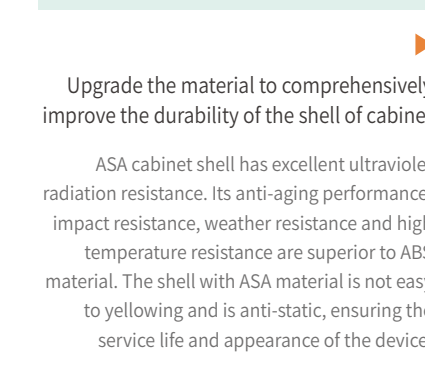
U series ECO-leather cushion is waterproof, anti-fouling and anti-oil, The stain can be gently wiped clean.

The U series ECO-leather cushion has a soft and comfortable surface. It has four major characteristics: anti-fouling and waterproof, wear-resistant and anti-wrinkle, scratch-resistant and high temperature resistance. It has undergone 100,000 wear tests and the surface is not damaged.



LED-9 Operation light, true color restoration

The operation light is designed to rotate in three-axis, which is more convenient for dentists to position flexibly; Non-contact sensor switch to reduce cross infection rate; Detachable handle for easy cleaning and disinfection; There are more than 12 lighting mode with four brightness level and three color temperature mode, and there is also composite mode to prevent resin from curing too fast.



Upgrade the material to comprehensively improve the durability of the shell of cabinet

ASA cabinet shell has excellent ultraviolet radiation resistance. Its anti-aging performance, impact resistance, weather resistance and high temperature resistance are superior to ABS material. The shell with ASA material is not easy to yellowing and is anti-static, ensuring the service life and appearance of the device.



The safety protection function of the patient chair provides dual protection for human-machine safety

The backrest comes with anti-collision protection. When the backrest descends and encounters obstacles, safety protection can be triggered, and the backrest and seat will automatically rebound. The back of the patient's chair is equipped with an emergency stop button. When danger may occur during the movement of the patient chair, press down the button immediately, and the power supply is cut off immediately.